

level1
ISOLATORS

**VISUAL BREAK
ISOLATORS**



WWW.PROLECAUSTRALIA.COM.AU

P: 02 49649660 E: sales@prolecaustralia.com.au

VISUAL BREAK ISOLATORS

Prolec's standard range of Level 1 Visual Break Isolators come in a wide variety of sizes and current Rating to suit almost any application, from 63AMP to 1600AMP.

Our enclosures are constructed in house by our sheet metal surgeons using 2mm thick 316 marine grade stainless steel ensuring long service life and maximum durability. Our Level 1 Isolators are engineered to endure in excess of 30,000 operations.

All our Level 1 Isolators are fitted with specifically designed stainless steel pad-lockable, side operated handles, powder coated gear plates and a mechanical interlock ensuring the door cannot be opened whilst the isolator is turned on or operated while door is open.

Isolators are available in 3 and 4 pole switching with AUX contacts fitted. Other available options include larger switching, alternate material types and finishes or internal led lighting. Prolec can custom make Level 1 VBI's to suit any application on request.



KEY FEATURES

- 2mm thick, marine grade 316 stainless steel construction
- 3mm mild steel powder coated gear plate
- 304 stainless steel concealed hinges
- 6mm lexan Window
- 5mm x 25mm neoprene adhesive gasket
- 8mm square quarter turn latch
- Sloped roof for weather protection
- Legrand isolator
- Engineered to endure 30,000+ operations
- Custom options available to suit your application
- AUX contact
- Engineered interlocking system

OPTIONAL FEATURES

- Multiple switch configuration
- Fortress BM1 Interlock available on request
- Hinged Protective cover
- Load break 63Amp to 1600Amp
- Intergrated LCS with Push Buttons
- Customisable gland plate & engraving



VISUAL BREAK ISOLATORS

VBI STANDARD ROOF SPECIFICATIONS



ISOMETRIC VIEW

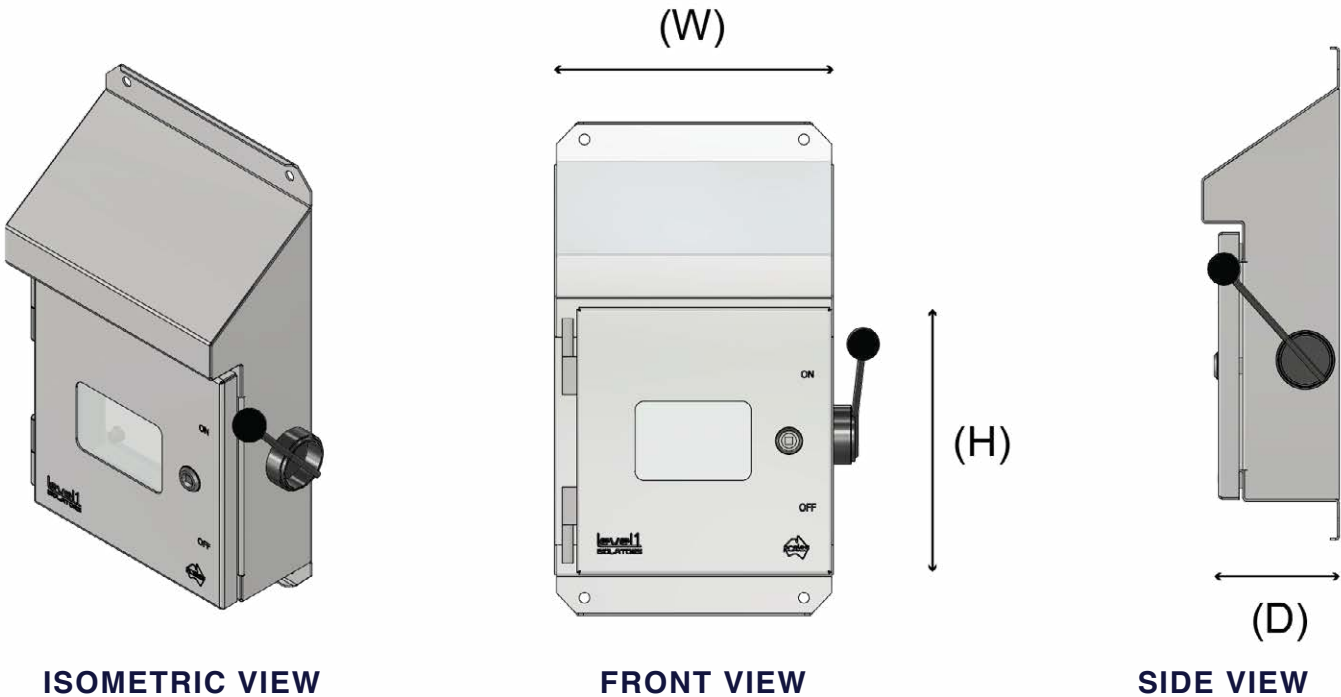
FRONT VIEW

SIDE VIEW

PRODUCT CODES	POLE / AMP	MATERIAL	ENCLOSURE SIZE	HANDLE WIDTH
			H x W x D	
ISO3P-63A-E	3 / 63A	#316 S/S	300 x 300 x 185mm	60mm
ISO4P-63A-E	4 / 63A	#316 S/S	300 x 300 x 185mm	60mm
ISO3P-100A-E	3 / 100A	#316 S/S	300 x 300 x 185mm	60mm
ISO4P-100A-E	4 / 100A	#316 S/S	300 x 300 x 185mm	60mm
ISO3P-125A-E	3 / 125A	#316 S/S	300 x 300 x 185mm	60mm
ISO4P-125A-E	4 / 125A	#316 S/S	300 x 300 x 185mm	60mm
ISO3P-160A-E	3 / 160A	#316 S/S	400 x 400 x 185mm	60mm
ISO4P-160A-E	4 / 160A	#316 S/S	400 x 400 x 185mm	60mm
ISO3P-250A-E	3 / 250A	#316 S/S	600 x 400 x 185mm	60mm
ISO4P-250A-E	4 / 250A	#316 S/S	600 x 400 x 185mm	60mm
ISO3P-400A-E	3 / 400A	#316 S/S	700 x 600 x 300mm	60mm
ISO4P-400A-E	4 / 400A	#316 S/S	700 x 600 x 300mm	60mm
ISO3P-630A-E	3 / 630A	#316 S/S	700 x 600 x 300mm	60mm
ISO4P-630A-E	4 / 630A	#316 S/S	700 x 600 x 300mm	60mm
ISO-LED	SMALL INTERNAL LED LIGHT			
ISO-LED-L	LARGE INTERNAL LED LIGHT			

VISUAL BREAK ISOLATORS

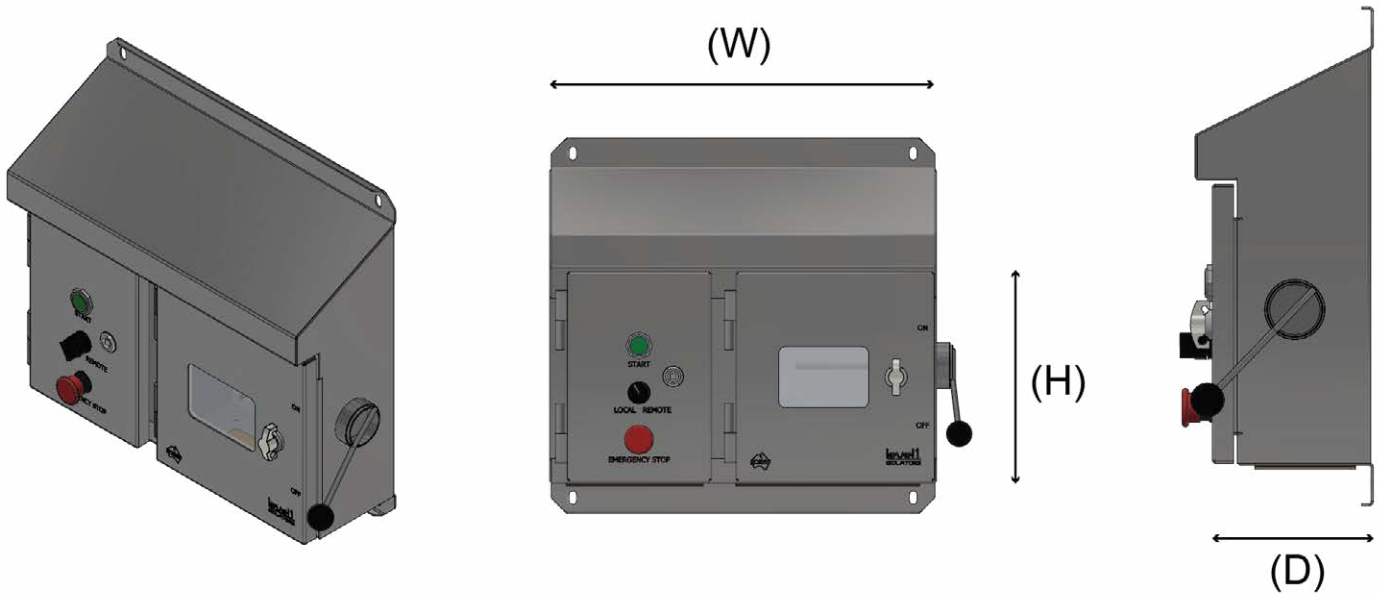
VBI SLOPED ROOF SPECIFICATIONS



PRODUCT CODES	POLE / AMP	MATERIAL	ENCLOSURE SIZE	HANDLE WIDTH
			H x W x D	
ISO3P-63A-E	3 / 63A	#316 S/S	300 x 300 x 185mm	60mm
ISO4P-63A-E	4 / 63A	#316 S/S	300 x 300 x 185mm	60mm
ISO3P-100A-E	3 / 100A	#316 S/S	300 x 300 x 185mm	60mm
ISO4P-100A-E	4 / 100A	#316 S/S	300 x 300 x 185mm	60mm
ISO3P-125A-E	3 / 125A	#316 S/S	300 x 300 x 185mm	60mm
ISO4P-125A-E	4 / 125A	#316 S/S	300 x 300 x 185mm	60mm
ISO3P-160A-E	3 / 160A	#316 S/S	400 x 400 x 185mm	60mm
ISO4P-160A-E	4 / 160A	#316 S/S	400 x 400 x 185mm	60mm
ISO3P-250A-E	3 / 250A	#316 S/S	600 x 400 x 185mm	60mm
ISO4P-250A-E	4 / 250A	#316 S/S	600 x 400 x 185mm	60mm
ISO3P-400A-E	3 / 400A	#316 S/S	700 x 600 x 300mm	60mm
ISO4P-400A-E	4 / 400A	#316 S/S	700 x 600 x 300mm	60mm
ISO3P-630A-E	3 / 630A	#316 S/S	700 x 600 x 300mm	60mm
ISO4P-630A-E	4 / 630A	#316 S/S	700 x 600 x 300mm	60mm
ISO-LED	SMALL INTERNAL LED LIGHT			
ISO-LED-L	LARGE INTERNAL LED LIGHT			

VISUAL BREAK ISOLATORS

VBI LCS SPECIFICATIONS



ISOMETRIC VIEW

FRONT VIEW

SIDE VIEW

PRODUCT CODES	POLE / AMP	MATERIAL	ENCLOSURE SIZE	HANDLE WIDTH
			H x W x D	
ISO3P-63A-SR-LCS	3 / 63A	#316 S/S	300 x 550 x 185mm	60mm
ISO3P-100A-SR-LCS	3 / 100A	#316 S/S	300 x 550 x 185mm	60mm
ISO3P-125A-SR-LCS	3 / 125A	#316 S/S	300 x 550 x 185mm	60mm
ISO3P-160A-SR-LCS	3 / 160A	#316 S/S	400 x 650 x 185mm	60mm
ISO3P-250A-SR-LCS	3 / 250A	#316 S/S	600 x 650 x 185mm	60mm
ISO3P-400A-SR-LCS	3 / 400A	#316 S/S	700 x 750 x 300mm	60mm
ISO3P-630A-SR-LCS	3 / 630A	#316 S/S	700 x 750 x 300mm	60mm
ISO-LED	SMALL INTERNAL LED LIGHT			
ISO-LED-L	LARGE INTERNAL LED LIGHT			